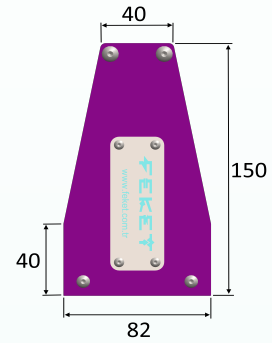
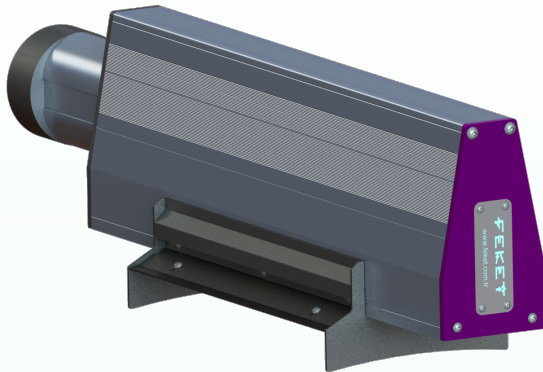




KOPACK CONVENTIONAL UV SYSTEM WITH F52 SPECIAL SLIM UV HEAD



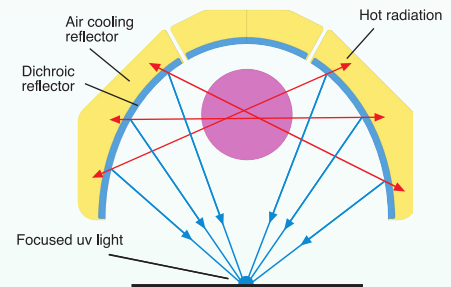
Electronic Ballast



Operating touch screen panel



Highly Efficient Reflector Design



Features

- Extruded aluminium body.
- 80 to 200 w/cm power options.
- Slide out cassette system.
- Dichroic head absorber.
- IR blocker glass.(Option)
- Touch screen operating panel.
- Stepless power control facility.
- Electronic ballast units.
- The highest productivity and the minimum energy loss with the special reflector design.
- Maximum uv energy dose to the printing surface.

